

auto electrical parts

Technical Information Sheet

Part No. 0-171-05

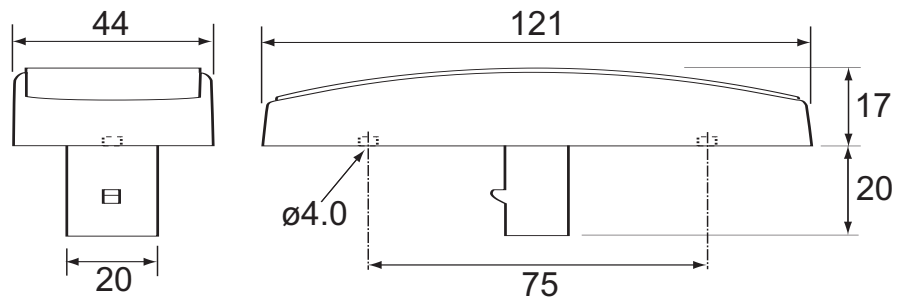
12/24 volt red LED rear marker lamp with reflex reflector and plug. Requires female connector 0-011-62. l 121 x w 17 x h 44. Protected to IP67. ECE approved.

Additional Information

Supplied with integral snap-fit bracket.



Technical Drawing (not to scale)



Specification

Type	Red rear marker lamp
Voltage rating	9 - 33 volt dc
Lens material	Acrylic
LEDs	4
Connector	2 pin male 'Superseal'
Weight	50g
Dimensions	l 121 x w 17 x h 44mm (excluding connector)
Approvals	ECE
Protection	IP67

The information contained in this document is correct to the best of our knowledge at the time of printing. However, specifications may change at any time without notice.